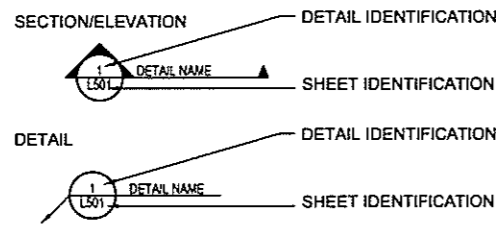


ABBREVIATIONS:

CL	CENTERLINE
ADJ.	DIAMETER OR ROUND
ADJ.	ADJACENT
AGGR.	AGGREGATE
ALUM.	ALUMINUM
ARCH.	ARCHITECT(URAL)
ASPH.	ASPHALT
B&B	BALL AND BURLAP
BC	BACK OF CURB
BW	BOTTOM OF WALL
BLDG	BUILDING
C.J.	CONTROL JOINT
CONC.	CONCRETE
DEMO.	DEMOLISH, DEMOLITION
DIA.	DIAMETER
DWG.	DRAWING
EA.	EACH
E.J.	EXPANSION JOINT
ESMT.	EASEMENT
FG	FINISHED GRADE
FOC	FACE OF CURB
GALV.	GALVANIZED
HT	HEIGHT
HORZ.	HORIZONTAL
I.D.	INNER DIAMETER
IN.	INCH
LG	LARGE
LF	LINEAL FEET
MIN.	MINIMUM
MISC.	MISCELLANEOUS
N.I.C.	NOT IN CONTRACT
N.T.S.	NOT TO SCALE
N	NORTH
O.C.	ON CENTER
PVMT.	PAVEMENT
R.	RADIUS
RE.	REFER
ROW	RIGHT OF WAY
SQ.	SQUARE
SS	STAINLESS STEEL
TBC	TOP OF BACK OF CURB
TBD	TO BE DETERMINED
TC	TOP OF CURB
TW	TOP OF WALL
TYP.	TYPICAL
VERT.	VERTICAL
W/	WITH

NOTE:
ADDITIONAL ABBREVIATIONS, SYMBOLS AND INDICATORS MAY APPEAR IN THESE DRAWINGS. REFER TO APPROPRIATE SHEETS FOR IDENTIFICATION AND CLARIFICATION. THIS SHEET APPLIES TO LANDSCAPE SERIES DRAWINGS ONLY.

REFERENCE INDICATIONS



LANDSCAPING GENERAL NOTES:

- The type, size, location and number of all known underground utilities are approximate as shown on the drawings. It shall be the responsibility of the contractor to verify the existence and location of all underground utilities within the limits of work. Before commencing new construction, the contractor shall be responsible for locating unknown underground utilities.
- Prior to the commencement of any construction, the contractor shall be required to obtain all of the necessary permits.
- Maintenance of on-site drainage during construction shall be the responsibility of the contractor.
- Contractor shall be responsible for all construction staking and the security of staking during construction. Any re-staking due to vandalism will be the sole responsibility of the contractor.
- All construction in the contract documents shall use the on-site survey control points. Contractor to field verify locations and elevations, and report any discrepancy to the project engineer.

PLANTING SCHEDULE

QTY	SYMBOL	LABEL	LATIN NAME	COMMON NAME	SIZE	FURNISHED	NOTES
EVERGREEN TREES							
5		PP	PICEA PUNGENS	COLORADO GREEN SRUCE	5'-6' HT.	B&B	5:3 RATIO, FULL, FURNISHED TO THE GROUND
2		PP6	PICEA PUNGENS	COLORADO GREEN SRUCE	6'-8' HT.	B&B	5:3 RATIO, FULL, FURNISHED TO THE GROUND
DECIDUOUS TREES							
10		BP	BETULA POPYRIFERA	PAPER BIRCH	2" CAL.	B&B	SINGLE STEM
7		BP3	BETULA POPYRIFERA	PAPER BIRCH	3" CAL.	B&B	SINGLE STEM
5		PM	PRUNUS MAACKII	AMUR CHOKECHERRY	2" CAL.	B&B	SINGLE STEM CLEAR TRUNK TO 5', NO HORIZONTAL LIMBS BELOW 8'
SHRUBS							
30		PMU	PINUS MUGHO 'SLOWMOUND'	SLOWMOUND MUGO PINE	15-18" SPREAD	POTTED	
67		PF	POTENTILLA FRUTICOSA	BUSH CINQUEFOIL	24" HT.	POTTED	
48		CL	COTONEASTER LUCIDUS	HEDGE COTONEASTER	24" HT.	POTTED	
38		SJ	SPIRAEA x BUMALDA	'X' SPIREA	18" HT.	POTTED	
13		VT	VIBURNUM TRILOBUM	AMERICAN CRANBERRY	36" HT.	POTTED	

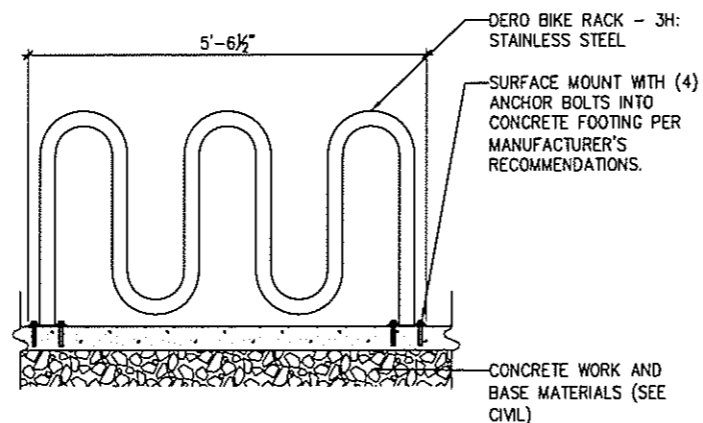
MISCELLANEOUS

	4" TOPSOIL AND SCHEDULE A SEE MIX (MOW SEED MIX)		CONCRETE MOW STRIP
	4" TOPSOIL AND SCHEDULE E SEED MIX (NO MOW SEED MIX)		

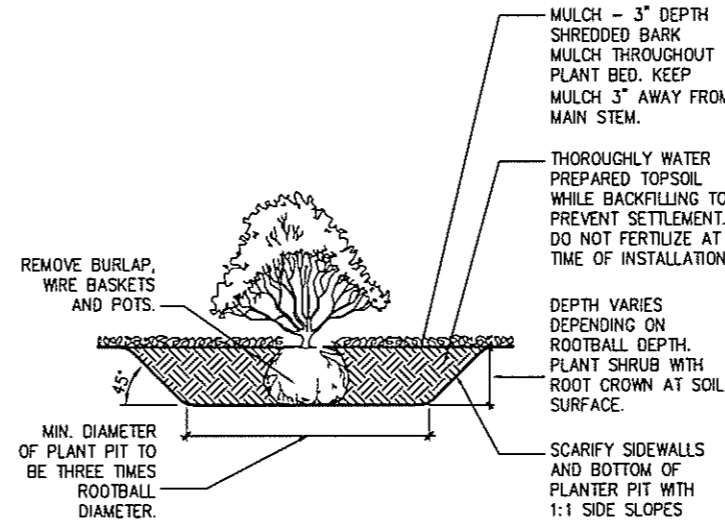
- PLANTING NOTES:**
- ALL PLANTS ARE NURSERY GROWN UNLESS SPECIFIED OTHERWISE.
 - ALL PLANTING BEDS SHALL RECEIVE 18" TOPSOIL AND 3" DEPTH SHREDDED BARK MULCH.
 - REFER TO SHEET Gen-20 FOR PLANTING DETAILS.
 - 4" TOPSOIL AND SEED ALL DISTURBED AREAS WITH NOTED SEED MIX.

File: 10107 UMED\00 CAD\Drawings\10107 L_Sheets.dwg

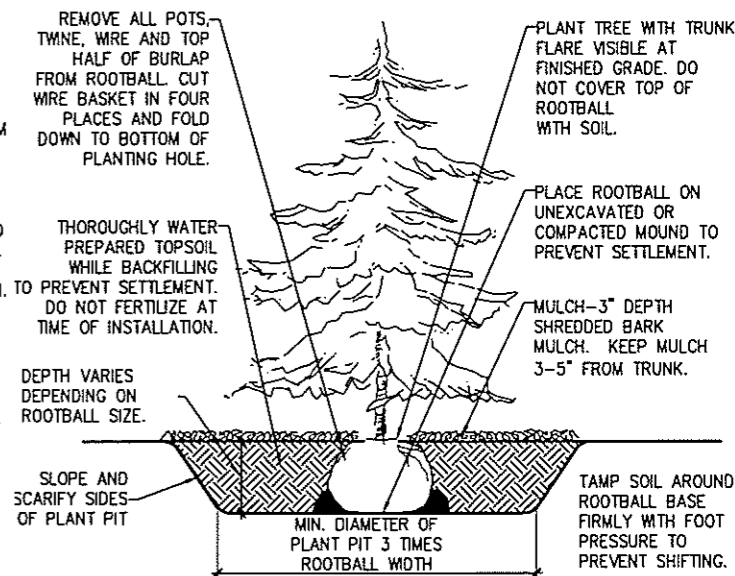
GRAPHIC SCALE													PROJECT MANAGEMENT AND ENGINEERING DEPARTMENT OFFICE OF THE MUNICIPAL ENGINEER		
													PM&E Project No. 04-42 LANDSCAPING		
										UMED TRANSIT AND PEDESTRIAN IMPROVEMENTS					
										NOTES, ABBREVIATIONS, AND PLANT SCHEDULE					
										SCALE	HOR. N/A VER. N/A	DATE JUNE 2007 STATUS 95% DESIGN	GRID 1834, 1835 1735	SHEET Gen-19 XX	



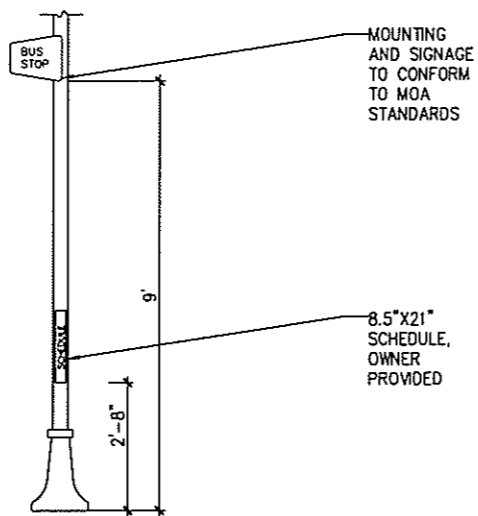
5 BIKE RACK
Gen-20 SCALE: 1"=1'-4" dt-fla.dwg



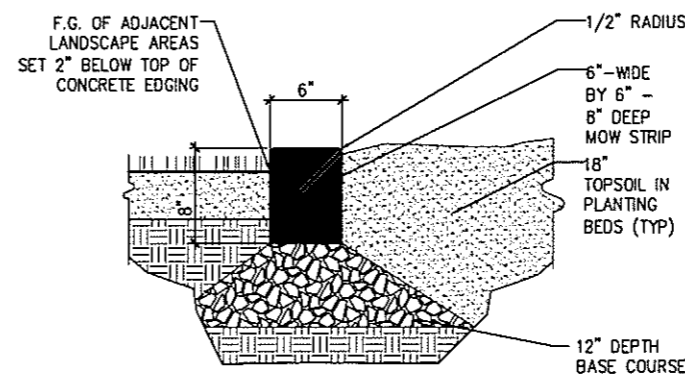
3 SHRUB PLANTING
Gen-20 SCALE: 3/4"=1'-0" FULL SIZE dt-fla.dwg



1 EVERGREEN TREE PLANTING
Gen-20 SCALE: 3/4"=1'-0" FULL SIZE dt-fla.dwg

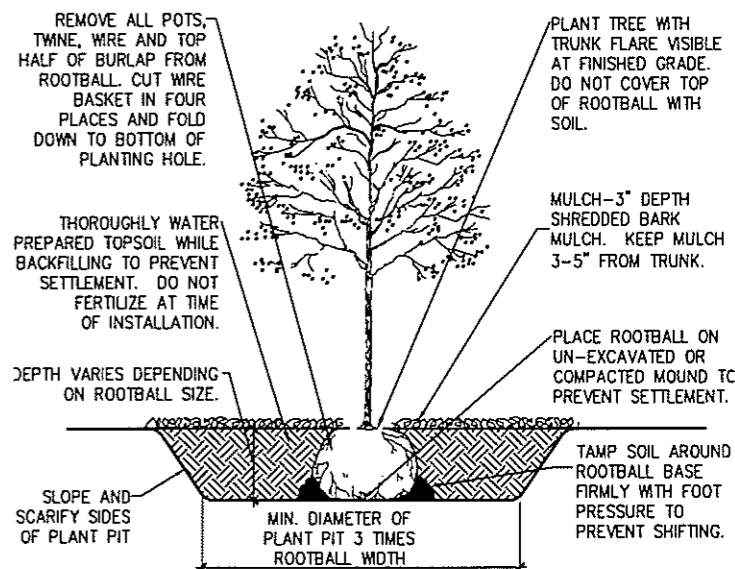


6 OWNER PROVIDED BUS SCHEDULE
Gen-20 SCALE: 1/2"=1'-0" dt-fla.dwg



NOTE: CONTROL JOINTS TO BE PLACED AT 10' O.C. INTERVALS AND AT CORNERS.

4 CONCRETE MOW STRIP
Gen-20 SCALE: 1"=0'-8" dt-fla.dwg

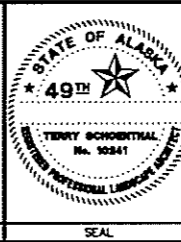


2 DECIDUOUS TREE PLANTING
Gen-20 SCALE: 3/4"=1'-0" FULL SIZE dt-fla.dwg

NOTE: LOCATIONS OF ALL SITE FURNISHINGS TO BE VERIFIED BY OWNER.

File: I0107 UMED\00 CAD\Drawings\10107 L Sheets.dwg

FIELD BOOKS										GRAPHIC SCALE											
DESIGN	STAGING	ASBUILT	CONTRACTOR	INSPECTOR	CONSTRUCTION RECORD	TELEPHONE	ELECTRIC	DESIGN	QUANTITIES	PRELIMINARY	FINAL	MUNICIPAL/STATE	PLANNING	REVISIONS	DESCRIPTION	BY	REV	DATE	DESCRIPTION	BY	



PROJECT MANAGEMENT AND ENGINEERING DEPARTMENT
OFFICE OF THE MUNICIPAL ENGINEER

PM&E Project No. 04-42 LANDSCAPING

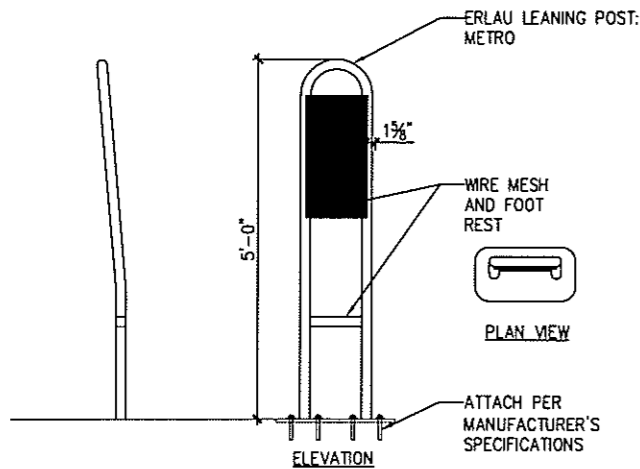
UMED TRANSIT AND PEDESTRIAN IMPROVEMENTS

NOTES, ABBREVIATIONS, AND PLANT SCHEDULE

SCALE: HOR. N/A VER. N/A DATE: JUNE 2007 STATUS: 95% DESIGN

1834.1835.0000
CRD: 1735

SHEET Gen-20 XX



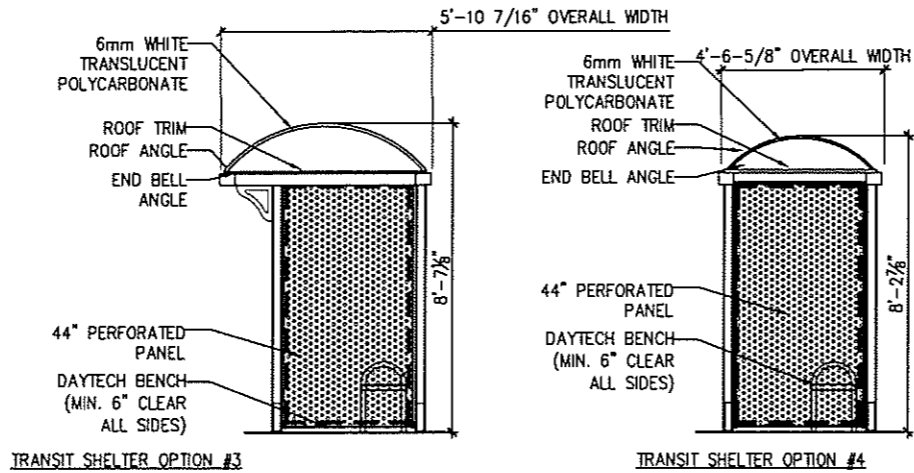
NOTE: SEE SCHEDULE FOR FINISHES

6 LEANER
SCALE: 1"=1'-4" FULL SIZE dt-fla.dwg

ITEM	MATERIALS	COLOR
BENCH* FRAME: SLATS:	TUBULAR STL. RECYCLED PLASTIC	TURQOISE GREEN RAL 6016 OR WHITE ALUMINUM RAL 9006
LEANER FRAME: BACK REST:	TUBULAR STAINLESS STEEL, PERFORATED STEEL	WHITE ALUMINUM RAL 9006
TRASH RECEPTACLE*		TURQOISE GREEN RAL 6016 OR WHITE ALUMINUM RAL 9006
GUARDRAIL RAIL: FRAME: CABLE:	TUBULAR STAINLESS STEEL TUBULAR STL. STAINLESS STL. W/ CONCEALED FASTENERS	POWDER COAT GRAY RAL 9006
STAIR CANOPY FRAME: ROOF: ABRASIVE SURFACE:	TUBULAR STL. ALUMINUM FRAME	HOT DIPPED STL. CLEAR GRAY

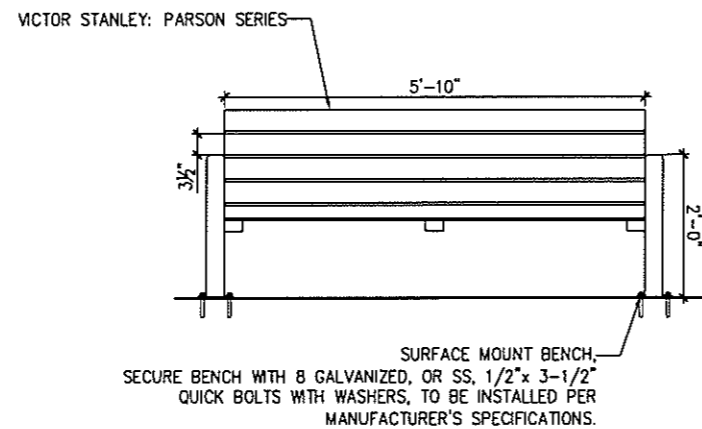
*NOTE: THESE FURNISHINGS TO BE RAL 6016 AT ALL LOCATIONS EXCEPT FOR PROVIDENCE HOSPITAL AND CONSORTIUM LIBRARY, THERE USE RAL 9006.

7 COLOR AND MATERIALS SCHEDULE
SCALE: 3"=1'-0" FULL SIZE dt-fla.dwg



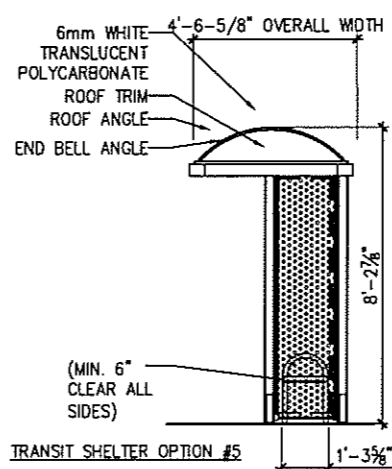
NOTE: 1) SHELTER TO MATCH MANUFACTURER'S SPECIFICATIONS 2) SHELTER COLORS TURQOISE GREEN RAL 6016 AT ALL LOCATIONS EXCEPT PROVIDENCE HOSPITAL AND UAA CONSORTIUM LIBRARY; AT THESE LOCATIONS SHELTER COLOR WHITE ALUMINUM RAL 9006

3 TRANSIT BUS SHELTER
SCALE: 3/8"=1'-0" FULL SIZE dt-fla.dwg



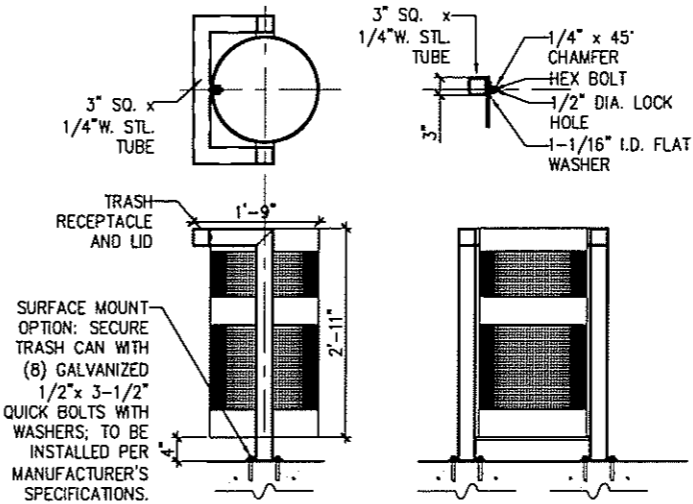
NOTE: SEE SCHEDULE FOR FINISHES

5 BENCH
SCALE: 1"=1'-4" FULL SIZE dt-fla.dwg

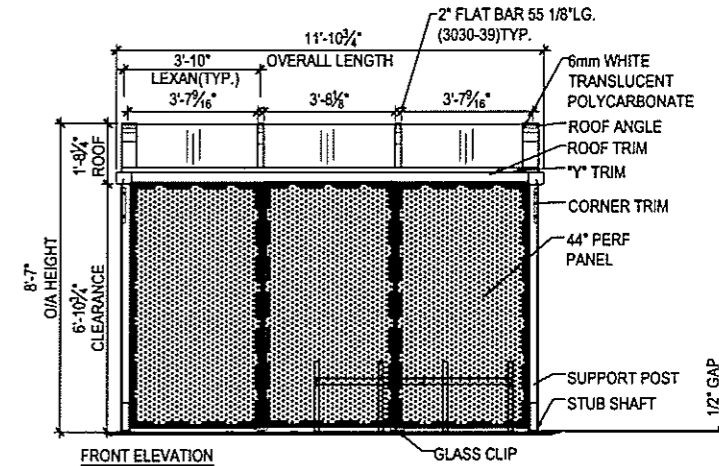


NOTE: SEE SCHEDULE FOR FINISHES

4 TRASH RECEPTACLE
SCALE: 1"=1'-4" FULL SIZE dt-fla.dwg

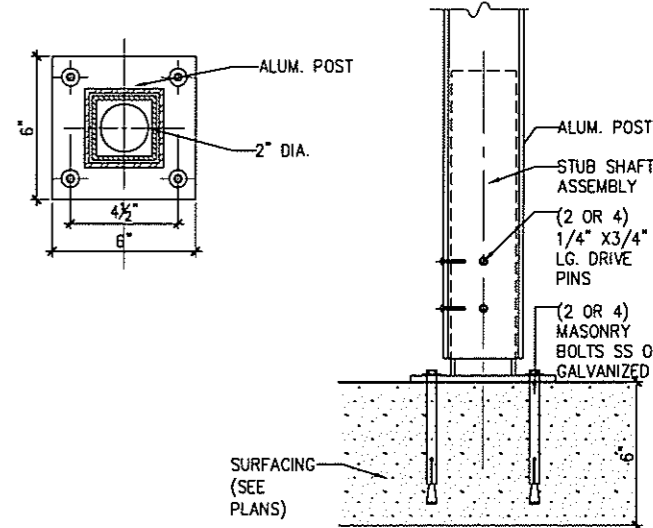


NOTE: SEE SCHEDULE FOR FINISHES



NOTE: 1) SHELTER TO MATCH MANUFACTURER'S SPECIFICATIONS 2) SHELTER COLORS TURQOISE GREEN RAL 6016 AT ALL LOCATIONS EXCEPT PROVIDENCE HOSPITAL AND UAA CONSORTIUM LIBRARY; AT THESE LOCATIONS SHELTER COLOR WHITE ALUMINUM RAL 9006

1 TRANSIT SHELTER ELEVATION
SCALE: 3/8"=1'-0" FULL SIZE dt-fla.dwg



2 SHELTER ATTACHMENT
SCALE: 3"=1'-0" FULL SIZE dt-fla.dwg

NOTE: LOCATIONS OF ALL SITE FURNISHINGS TO BE VERIFIED BY OWNER.

File: 10107 UMED\00 CAD\Drawings\10107 L Sheets.dwg

GRAPHIC SCALE													PROJECT MANAGEMENT AND ENGINEERING DEPARTMENT OFFICE OF THE MUNICIPAL ENGINEER																																																																																																		
<table border="1" style="width: 100%; border-collapse: collapse;"> <thead> <tr> <th>FIELD BOOKS</th> <th>TBM NO.</th> <th>LOCATION</th> <th>ELEV.</th> <th>DATA</th> <th>DATE</th> <th>BY</th> <th>REV</th> <th>DATE</th> <th>DESCRIPTION</th> <th>BY</th> </tr> </thead> <tbody> <tr> <td>DESIGN</td> <td></td> <td></td> <td></td> <td>BASE</td> <td></td> <td></td> <td></td> <td></td> <td>TELEPHONE</td> <td></td> </tr> <tr> <td>STAGING</td> <td></td> <td></td> <td></td> <td>TOPOGRAPHY</td> <td></td> <td></td> <td></td> <td></td> <td>ELECTRIC</td> <td></td> </tr> <tr> <td>ASBUILT</td> <td></td> <td></td> <td></td> <td>PROFILE</td> <td></td> <td></td> <td></td> <td></td> <td>DESIGN</td> <td></td> </tr> <tr> <td>CONTRACTOR</td> <td></td> <td></td> <td></td> <td>SANITARY SEWER</td> <td></td> <td></td> <td></td> <td></td> <td>QUANTITIES</td> <td></td> </tr> <tr> <td>INSPECTOR</td> <td></td> <td></td> <td></td> <td>STORM SEWER</td> <td></td> <td></td> <td></td> <td></td> <td>PRELIMINARY</td> <td></td> </tr> <tr> <td>CONSTRUCTION RECORD</td> <td></td> <td></td> <td></td> <td>WATER</td> <td></td> <td></td> <td></td> <td></td> <td>FINAL</td> <td></td> </tr> <tr> <td></td> <td></td> <td></td> <td></td> <td>GAS</td> <td></td> <td></td> <td></td> <td></td> <td>MUNICIPAL/STATE</td> <td></td> </tr> <tr> <td></td> <td></td> <td></td> <td></td> <td>PLAN CHECK</td> <td></td> <td></td> <td></td> <td></td> <td>REVISIONS</td> <td></td> </tr> </tbody> </table>													FIELD BOOKS	TBM NO.	LOCATION	ELEV.	DATA	DATE	BY	REV	DATE	DESCRIPTION	BY	DESIGN				BASE					TELEPHONE		STAGING				TOPOGRAPHY					ELECTRIC		ASBUILT				PROFILE					DESIGN		CONTRACTOR				SANITARY SEWER					QUANTITIES		INSPECTOR				STORM SEWER					PRELIMINARY		CONSTRUCTION RECORD				WATER					FINAL						GAS					MUNICIPAL/STATE						PLAN CHECK					REVISIONS	
FIELD BOOKS	TBM NO.	LOCATION	ELEV.	DATA	DATE	BY	REV	DATE	DESCRIPTION	BY																																																																																																					
DESIGN				BASE					TELEPHONE																																																																																																						
STAGING				TOPOGRAPHY					ELECTRIC																																																																																																						
ASBUILT				PROFILE					DESIGN																																																																																																						
CONTRACTOR				SANITARY SEWER					QUANTITIES																																																																																																						
INSPECTOR				STORM SEWER					PRELIMINARY																																																																																																						
CONSTRUCTION RECORD				WATER					FINAL																																																																																																						
				GAS					MUNICIPAL/STATE																																																																																																						
				PLAN CHECK					REVISIONS																																																																																																						
SCALE		HOR. N/A VER. N/A		DATE JUNE 2007		STATUS 95% DESIGN		SHEET Gen-21		XX																																																																																																					